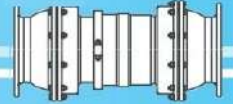


# SINO-FLEX Settlement Joint/Flexible Expansion Joint

Manufacturer: YUNG YU SPECIAL JOINT CO., LTD

Address: No.458, Sec.2, Guanxin Rd., Guanmiao Dist., Tainan City 71841, TAIWAN, R.O.C.

TEL: 886 6 5959376-9 FAX: 886 6 5953000 E-MAIL: yyjoint@seed.net.tw



Sole Agent: Essential Trading Co., Ltd

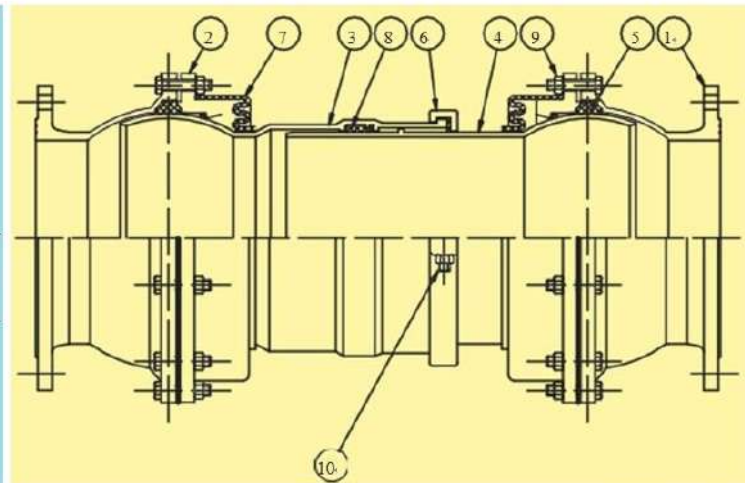
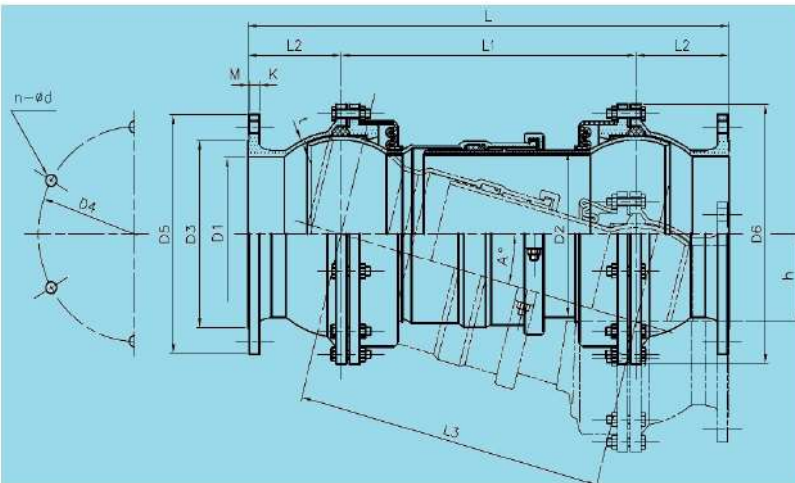
Address: 15/F., Toi Shan Centre, 128 Johnston Road, Wanchai, HongKong

Tel: 28339906 Fax: 28385587 E-mail: essenthk@essential.imsbiz.com.hk



Model: **Globe type**

NO.	PARTS	MATERIAL	REMARK
1	Pivot holder	Ductile Iron	BSEN1563 Gr.450/10
2	Fixing ring	Ductile Iron	BSEN1563 Gr.450/10
3	Pivot pipe A	Ductile Iron	BSEN1563 Gr.450/10
4	Pivot pipe B	Ductile Iron	BSEN1563 Gr.450/10
5	Clamp ring	Ductile Iron	BSEN1563 Gr.450/10
6	Pivot packing	Rubber	EPDM/NBR
7	Dust cover	Rubber	EPDM/NBR
8	Slide packing	Rubber	EPDM/NBR
9	Bolt & nut	Stainless steel	SUS304/SUS316
10	Bolt & nut	Stainless steel	SUS304/SUS316



(Flange to BSEN 1092-2 :1997 PN16)

(Unit:mm)

DN	Pipe Size	D1	D2	D3	D4	D5	D6	M	K	t	n	d	L2	A	h=100			Extension	h=200			Extension
															L	L1	L3		L	L1	L3	
80	80	76	93	132	160	200	246	3	16	9	8	19	135	20	730	460	489	+70 -30	950	680	723	+150 -50
100	100	101	118	156	180	220	276	3	16	9	8	19	150	20	800	500	532		1020	720	766	
150	150	151	169	211	240	285	333	3	16	9	8	23	150	20	830	530	564		1060	760	808	
200	200	198	220	266	295	340	389	3	17	9	12	23	160	20	890	570	606		1110	790	840	
250	250	247.6	271.6	319	355	405	440	3	19	9	12	28	170	20	940	600	638		1150	810	861	
300	300	297.8	322.8	370	410	460	502	4	20.5	9	12	28	200	18	1030	630	662	1280	880	925		
DN	Pipe Size	D1	D2	D3	D4	D5	D6	M	K	t	n	d	L2	A	h=200			Extension	h=300			Extension
															L	L1	L3		L	L1	L3	
350	350	348	374	429	470	520	573	4	22.5	11	16	28	230	15	1360	900	931	+150 -50	1620	1160	1200	+200 -100
400	400	397.6	425.6	480	525	580	627	4	24	11	16	31	240	15	1400	920	952		1650	1170	1211	
450	450	447.8	476.8	548	585	640	681	4	26	11	20	31	260	15	1460	940	973		1720	1200	1242	
500	500	498	528	609	650	715	735	4	28	11	20	34	280	15	1520	960	993		1780	1220	1263	
600	600	598.8	630.8	720	770	840	842	5	31	12	20	37	290	15	1570	990	1024		1830	1250	1294	
700	700	699	733	794	840	910	1079	5	34.5	15	24	37	380	15	1980	1220	1263		2240	1480	1532	
800	800	800	836	901	950	1025	1180	5	38	16	24	41	400	15	2050	1250	1294		2310	1510	1563	
900	900	901	939	1001	1050	1125	1283	5	41.5	17	28	41	420	15	2125	1285	1330		2385	1545	1599	
1000	1000	1001	1041	1112	1170	1255	1385	5	45	17	28	44	440	15	2185	1305	1351		2445	1565	1620	
1100	1100	1102	1144	1218	1270	1355	1500	5	48.5	18	32	44	477	15	2335	1381	1429		2595	1641	1698	
1200	1200	1202	1246	1328	1390	1485	1638	5	52	18	32	50	470	15	2400	1460	1511	2660	1720	1780		
1400	1400	1402	1444	1530	1590	1685	1836	5	55	20	36	50	545	13	2600	1510	1549	2850	1760	1806		
1500	1500	1502	1554	1640	1710	1820	1970	5	57.5	23	36	57	565	13	2750	1620	1662	3010	1880	1929		

Please contact us for the other movement and size unshown in above.

Globe Type

Settlement Joint/Flexible Expansion Joint  
without bolt and nut are available upon request